

SIDE MOUNTED **DIVE THRUSTERS**

**PERSONAL UNDERWATER
PROPULSION SYSTEM**

**DESIGNED FOR UNDERWATER
RESCUE OPERATIONS**



Reference number: ND0003655



NORTHERN DIVER
SPECIALIST RESCUE EQUIPMENT

After learning about the difficulties and kit restrictions that the technical fire brigade water rescue teams were experiencing, we redesigned the layout of our Dive Thrusters to solve the problem.

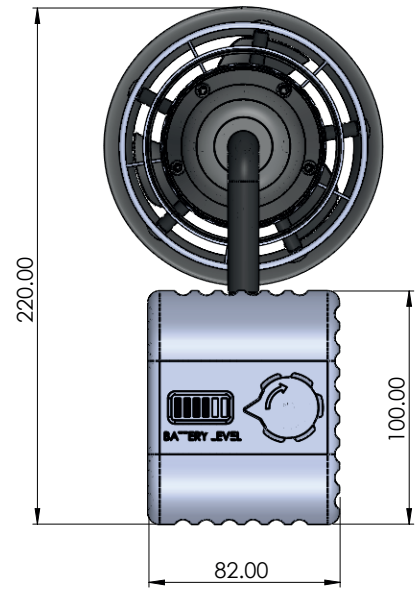
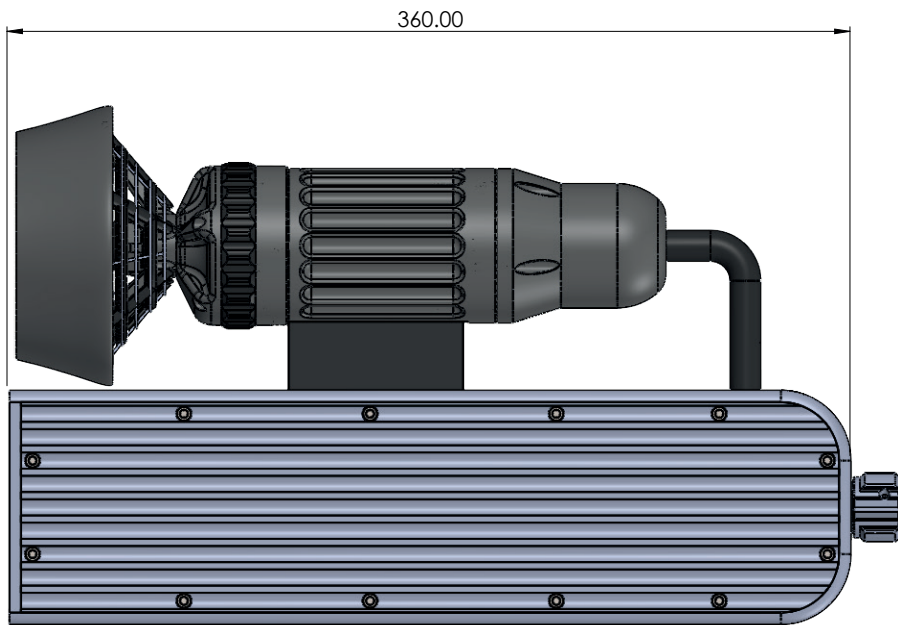
Our personal propulsion thrusters are now available to any rescue team in a side mounted model and have been designed specifically for rescue applications.

TECHNICAL SPECIFICATIONS

Run time	25 minutes
Max operating distance	1.2 miles
Max operating speed	2.7 mph
Overall size	380*85*220mm (per unit)
Nominal Battery Volts	25.4VDC
Battery Capacity	20 Ah
Typical charge time	2.5 hrs (flat to full charge)
Battery type	Lithium ion (with gas vent)
Individual thruster weight	5.5 kg
Full system weight with belt	12.2 kg

Maximised efficiency and power
Streamlined underwater profile
Reduce fatigue during underwater operations





Thruster Harness System

Refined for seamless integration with the user's standard kit. Improves comfort, practicality, and usability. Available in one adjustable size to cater to a wide range of body types.

Thruster Batteries

Side mounted style designed specifically to work with a divers other kit. Battery pack uses high capacity Lithium-Ion cells and an advanced battery management system with built in protection.

Thruster Units

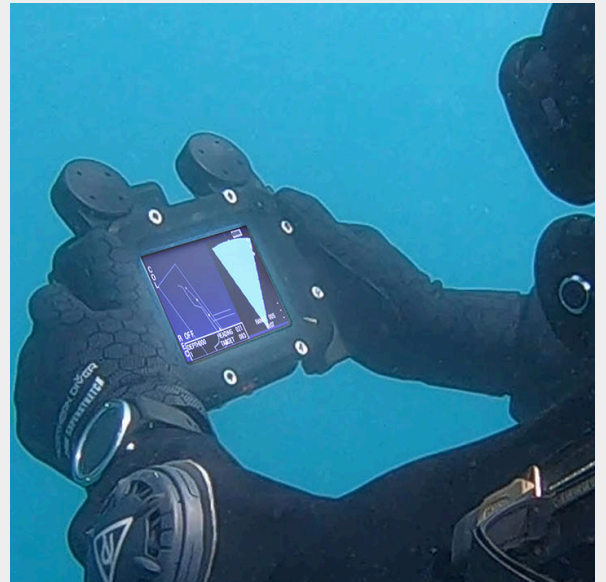
Through the application of hydrodynamics and intensive university research, Northern Diver have maximised the efficiency and power of the thrusters to reach their full potential.

The state-of-the-art motors and drive components produce impressive thrust. The propellers are driven by an innovative magnetic coupling.

DIVER THRUSTER

SYSTEM CONTENTS

- > Belt/harness system
- > Side thruster units (2)
- > Side thruster batteries (2)
- > Thruster controller built into the side mounted battery unit
- > Side thruster cables (2)
- > Battery blank (2)
- > Battery chargers (2)
- > Hard storage case
- > User manual
- > Certification pack



Did you buy another manufacturer's thrusters?

In addition to the manual control provided, the Thrusters have the capability to be remotely operated with Northern Diver's NIMROD underwater navigation system.

This enables the user to alter their speed without removing his hand from the navigation equipment giving complete control, whilst maintaining a smooth underwater profile.

Contact us to discuss your requirements.





To ensure the long life of your dive thruster kit we offer cleaning kits, maintenance kits and the option to purchase spare parts.

Maintenance Kits

The kit features the basic items required to maintain the operation of your dive thrusters and includes a small waterproof hard case for easy transport

Each kit includes:

- > 1 x 2.5mm allen key
- > 1 x 3.0mm allen key
- > 1 x 10mm spanner
- > 1 x left aluminium propeller kit
- > 1 x right aluminium propeller kit
- > 1 x storage case
- > 1 x Molykote 44 silicone grease



Cleaning Kit

Protects, lubricates, and maintains the best signal quality of the thruster connector cable pins. Consistant maintenance of the cable pins helps reduce intermittent connections, arcing, RFI, wear and abrasion and provides long-lasting protection from oxidation on the plated surface.

Each kit includes:

- > 1 microfiber cleaning cloth
- > 1 x swab pack (3.5*10.7mm)
- > 1 x cleaning solution (100ml)
- > 1 x storage case



Spare Parts

ALL components that make up the Northern Diver Dive Thruster System can be bought as a separate part if required.

Each component is easy to order through your Northern Diver sales representative and available for quick delivery in most cases.

Contact us to discuss your requirements.



OFFICES

Northern Diver International Ltd.
East Quarry
Appley Lane North
Appley Bridge
Lancashire,
WN6 9AE
UK

CONTACT DETAILS

Craig McColl
Rescue Sales Manager
Office: +44 (0) 1257 25 69 34
Mobile: +44 (0) 7854 252 013
Email: craig@ndiver.com